



GREMSY

# PIXY LR<sup>2AX</sup>

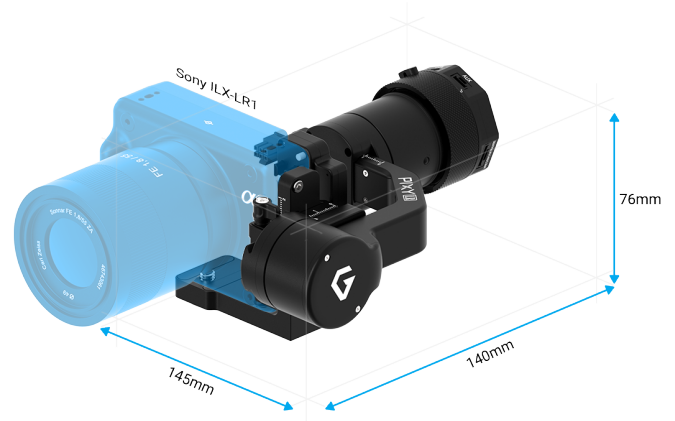


# 2-AXIS PIXY LR

Two-Axis Pixy LR gimbal is designed for integration with front-mounted drone systems with the the Sony ILX-LR1 camera, reducing overall flight system weight. Ideal for inspection, mapping and other industrial applications, it ensures precise performance and enhanced efficiency.

## FACTS & FEATURES

- UNOBSTRUCTED VIEW, SUPERIOR INSPECTIONS
- ROVER/ROBOT-MOUNTED INSPECTION CAPABILITY
- LIGHTWEIGHT DESIGN, LONGER FLIGHTS
- FAST DATA TRANSFER, ADVANCED SOFTWARE INTEGRATION
- VERSATILE COMPATIBILITY, EXPANDABLE FUNCTIONALITY



### QUICK SPECS

<b>Gimbal Weight</b>	333g
<b>Gimbal Dimension (DxWxH)</b>	140 x 145 x 76 (mm)
<b>Supported Camera</b>	Sony ILX-LR1
<b>Supported Drone Platforms</b>	Pixhawk, CubePilot, Skynode, M600
<b>Connections</b>	Micro USB, USB-C (3.0), CAN, UART, SBus, Micro HDMI
<b>Camera Data Transmission</b>	Sony Camera USB - USB-C 3.0
<b>Gimbal Control</b>	UART (Com, micro USB), Can (LB2), SBus, PPM
<b>SDK Supported Platform</b>	gSDK, Gremsy Payload SDK, MAVSDK

### TYPICAL APPLICATIONS



Mapping



Inspection

